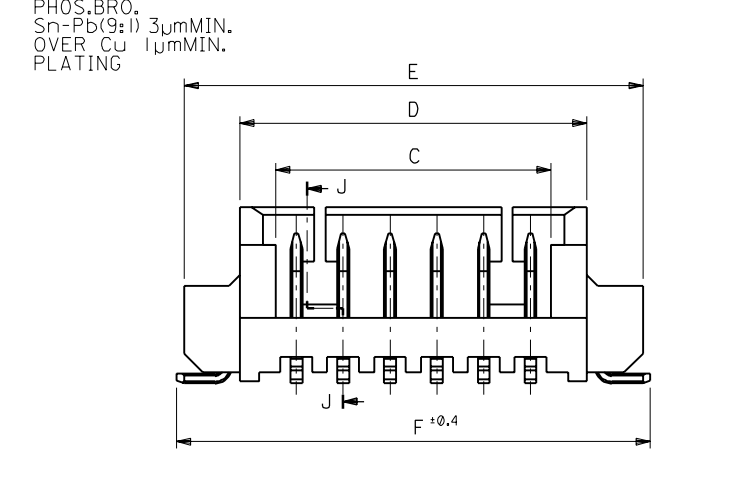
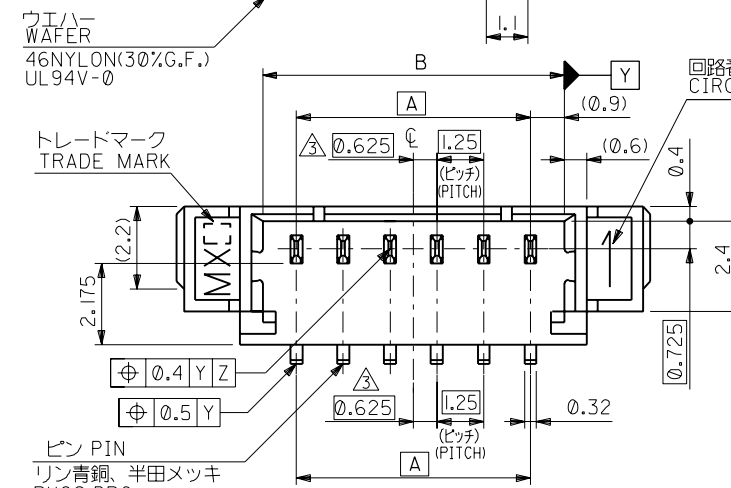
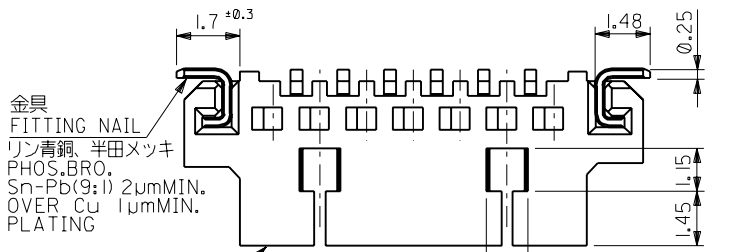


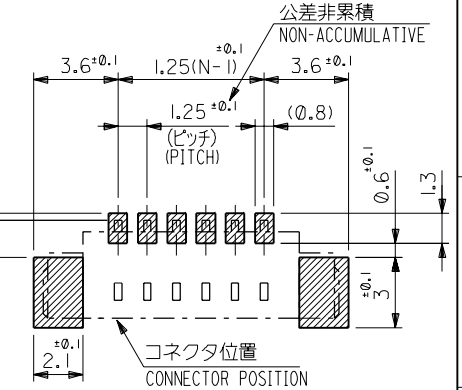
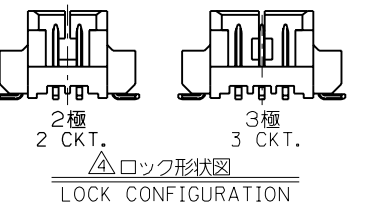
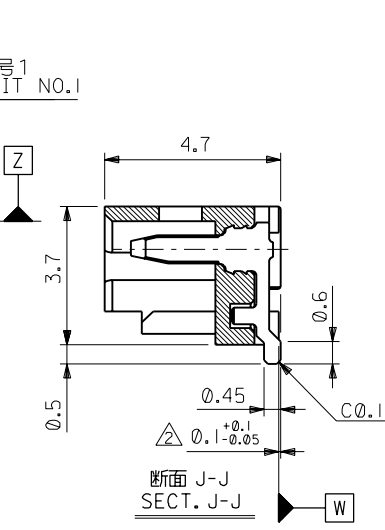
DWG. NO. SD-53398-\*\*\*10

DIMENSIONS IN METRIC DO NOT SCALE DRAWING



注記 NOTES

- 嵌合相手: 51021 シリーズ MATE WITH : 51021 SERIES
- 水平面上においての、ウエハー底面 [W] とソルダーテール及びフィッティングネイル底面とのズレ量を示す。  
MISALIGNMENT OF SOLDER TAIL & FITTING NAIL FROM [W]
- 偶数極のみ適用。APPLY EVEN CIRCUIT PRODUCTS.
- ロック窓は、2、3極は1ヶ所、4極以上は2ヶ所とする。  
LOCKING WINDOW : ONE PLACE FOR 2&3 CKTS.  
TWO PLACES FOR MORE THAN 4 CKTS.



参考基板レイアウト  
RECOMMENDED P.C.BOARD PATTERN DIM.(REF.)

23.9	23.5	20.5	18.6	19.3	17.5	53398-1510	15
22.65	22.25	19.25	17.35	18.05	16.25	↑ -1410	14
21.4	21	18	16.1	16.8	15	↑ -1310	13
20.15	19.75	16.75	14.85	15.55	13.75	↑ -1210	12
18.9	18.5	15.5	13.6	14.3	12.5	↑ -1110	11
17.65	17.25	14.25	12.35	13.05	11.25	↑ -1010	10
16.4	16	13	11.1	11.8	10	↑ -0910	9
15.15	14.75	11.75	9.85	10.55	8.75	↑ -0810	8
13.9	13.5	10.5	8.6	9.3	7.5	↑ -0710	7
12.65	12.25	9.25	7.35	8.05	6.25	↑ -0610	6
11.4	11	8	6.1	6.8	5	↑ -0510	5
10.15	9.75	6.75	4.85	5.55	3.75	↑ -0410	4
8.9	8.5	5.5	3.6	4.3	2.5	↑ -0310	3
7.65	7.25	4.25	2.35	3.05	1.25	↑ -0210	2
F	E	D	C	B	A	ENG. NO.	極数 NO. OF CKTS.

変更 REVISED	WC2000-0636	K.K.	M.F.	00/3/30
変更 REVISED	WC800048	H.J.	M.F.	97/7/5
変更 REVISED	U31030	H.H.	M.F.	93/10/13
変更 REVISED	U30753	K.T.	H.H.	93/7/29
変更 REVISED	U30610	K.T.	H.H.	93/6/18
変更 REVISED	U30230	K.T.	H.H.	93/3/10
新規作成 RELEASED	U20942	K.T.	H.H.	92/10/12
記号 LTR	変更内容 REVISION RECORD	DR. CHK.	日付 DATE	材料 MATERIAL

図中参照  
SEE DRAWING

仕上げ  
FINISH —

適用電線範囲  
WIRE RANGE —

被覆外径  
INS. RANGE —

DRAWN BY '92/10/12  
K.TOJO T.YAMAGUCHI

CHK'D BY '00/3/30  
M.FUKUSHIMA

APP'D BY '00/3/30  
M.FUKUSHIMA

材料  
MATERIAL

図中参照  
SEE DRAWING

REVISE ONLY ON CAD SYSTEM

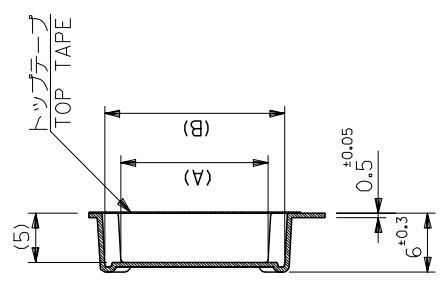
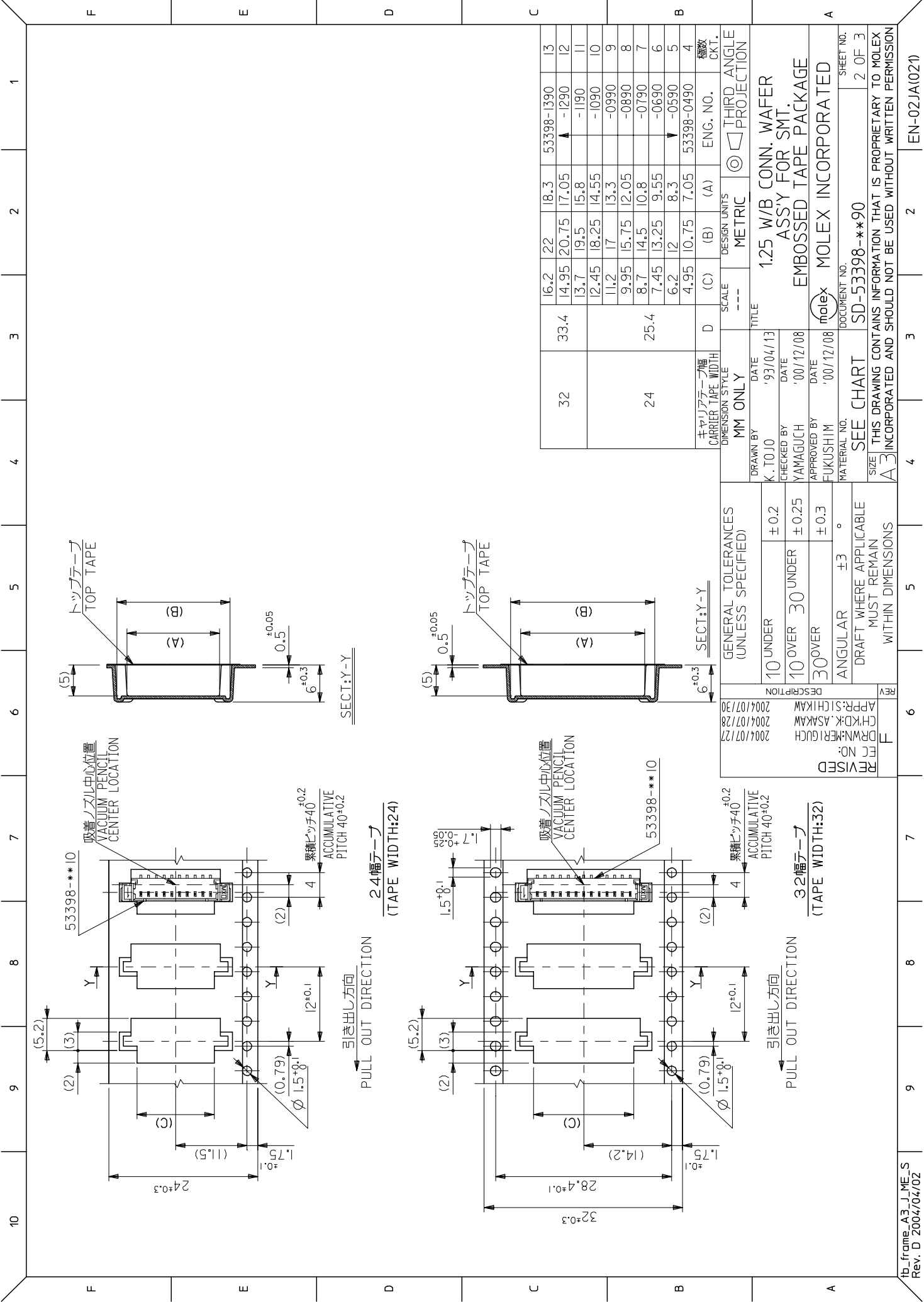
TITLE 名称

1.25 WIRE TO BOARD CONN.  
WAFER ASS'Y FOR SMT (ST.)

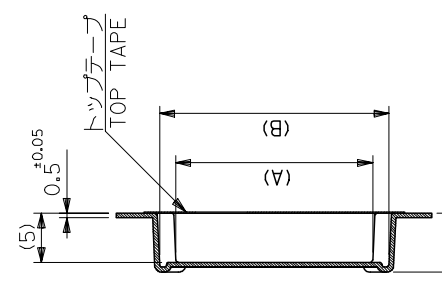
DWG. NO. SD-53398-\*\*\*10

REV F

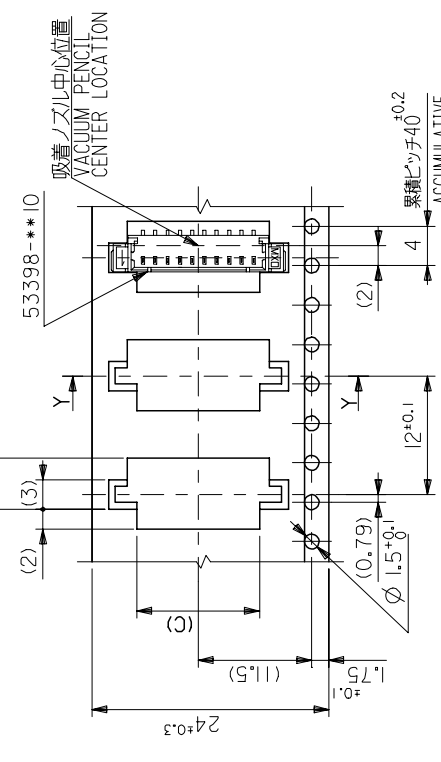




SECT:Y-Y

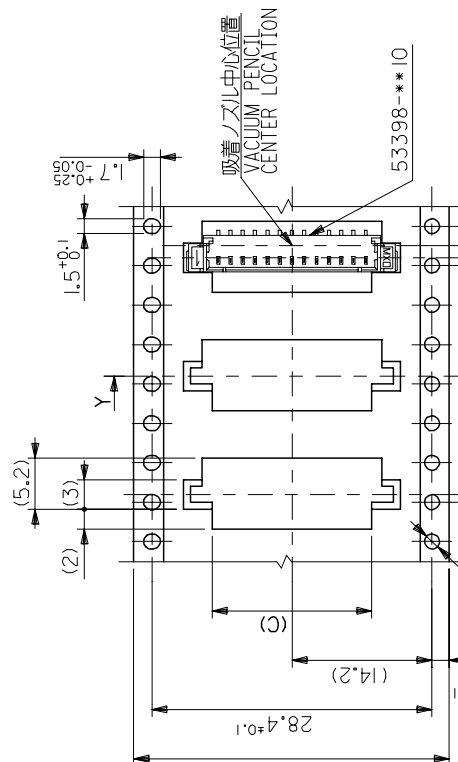


SECT:Y-Y



24ピンテープ  
(TAPE WIDTH:24)

引き出し方向  
PULL OUT DIRECTION

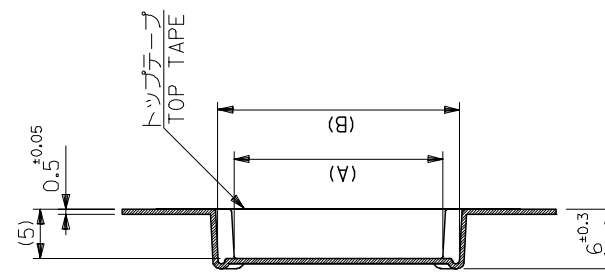
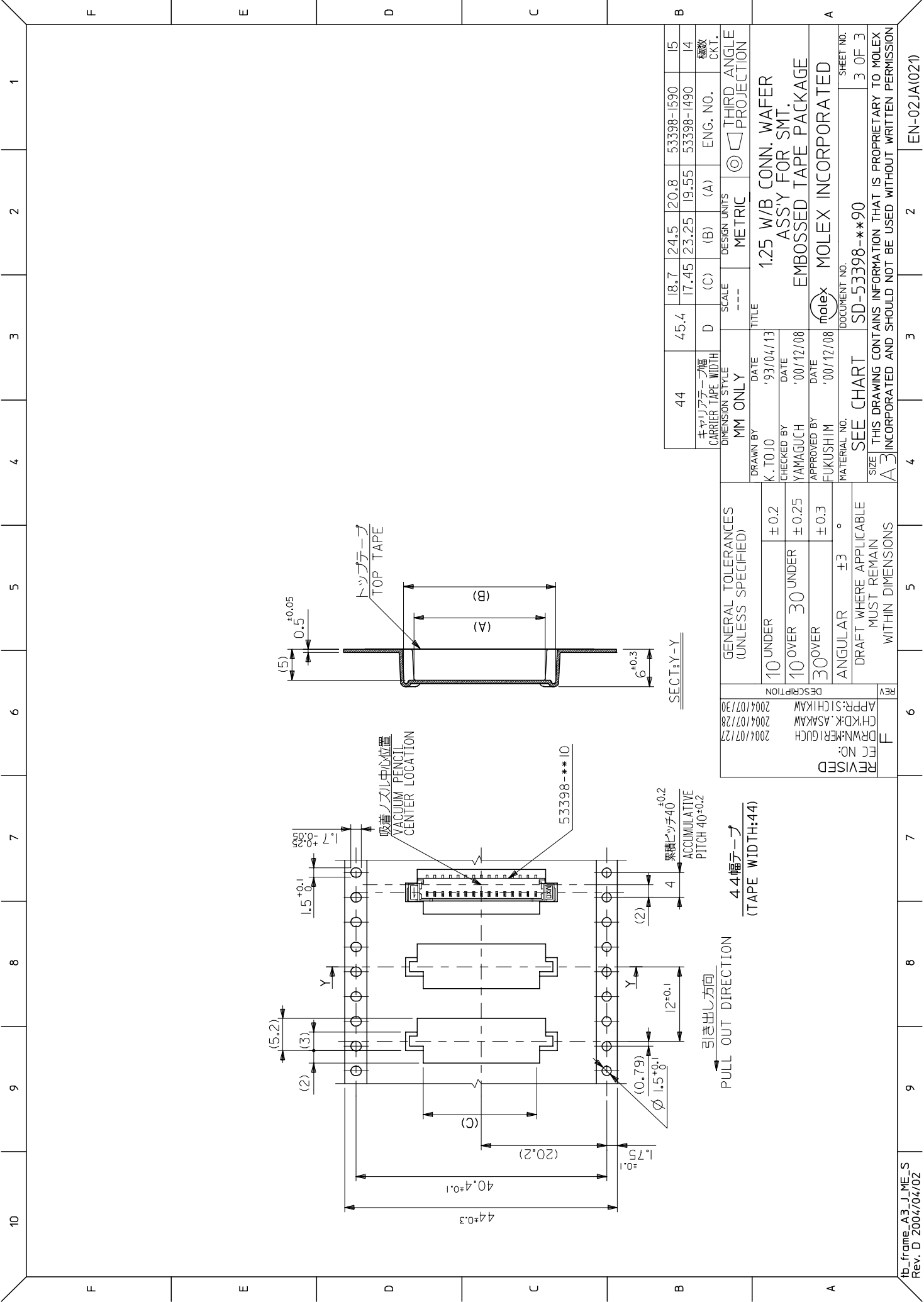


32ピンテープ  
(TAPE WIDTH:32)

引き出し方向  
PULL OUT DIRECTION

32	33.4	16.2	22	18.3	53398-1390	13
		14.95	20.75	17.05	-1290	12
		13.7	19.5	15.8	-1190	11
		12.45	18.25	14.55	-1090	10
		11.2	17	13.3	-0990	9
		9.95	15.75	12.05	-0890	8
		8.7	14.5	10.8	-0790	7
		7.45	13.25	9.55	-0690	6
		6.2	12	8.3	-0590	5
		4.95	10.75	7.05	53398-0490	4

キャリアテープ幅 CARRIER TAPE WIDTH	D	(C)	(B)	(A)	ENG. NO.	機番 CKT.
SCALE	---	---	---	---	---	---
DESIGN UNITS	METRIC	METRIC	METRIC	METRIC	METRIC	METRIC
THIRD ANGLE PROJECTION	☉	☉	☉	☉	☉	☉
TITLE	1.25 W/B CONN. WAFER ASS'Y FOR SMT. EMBOSSED TAPE PACKAGE					
DRAWN BY	MM ONLY					
DATE	'93/04/13					
CHECKED BY	YAMAGUCHI					
DATE	'00/12/08					
APPROVED BY	FUKUSHIM					
DATE	'00/12/08					
MATERIAL NO.	DOCUMENT NO.	MOLEX INCORPORATED				SHEET NO.
SEE CHART	SD-53398-**90					2 OF 3
THIS DRAWING CONTAINS INFORMATION THAT IS PROPRIETARY TO MOLEX INCORPORATED AND SHOULD NOT BE USED WITHOUT WRITTEN PERMISSION						



44	45.4	18.7	24.5	20.8	53398-1590	15
キャリアテープ幅 CARRIER TAPE WIDTH	D	(C)	(B)	(A)	ENG. NO.	種別 CKT.
MM ONLY	---	---	---	---	---	---
SCALE	DESIGN UNITS	THIRD ANGLE PROJECTION				
DRAWN BY	DATE	TITLE				
K. TOJO	'93/04/13	1.25 W/B CONN. WAFER ASS'Y FOR SMT.				
CHECKED BY	DATE	EMBOSSED TAPE PACKAGE				
YAMAGUCHI	'00/12/08	MOLEX INCORPORATED				
APPROVED BY	DATE	DOCUMENT NO.				
FUKUSHIM	'00/12/08	SD-53398-**-90				
MATERIAL NO.	SEE CHART	SHEET NO.				
SIZE	THIS DRAWING CONTAINS INFORMATION THAT IS PROPRIETARY TO MOLEX INCORPORATED AND SHOULD NOT BE USED WITHOUT WRITTEN PERMISSION	3 OF 3				

GENERAL TOLERANCES (UNLESS SPECIFIED)	10 UNDER ±0.2
	10 OVER 30 UNDER ±0.25
	30 OVER ±0.3
ANGULAR	±3 °
DRAFT WHERE APPLICABLE MUST REMAIN WITHIN DIMENSIONS	
REV	DESCRIPTION
F	REVISED
	FC NO.
	DRWNG:MERI GUCH
	CHKD:K. ASAKAW
	APP: S. CHIKAW
	2004/07/28
	2004/07/28
	2004/07/28

4.4幅テープ (TAPE WIDTH:4.4)

PULL OUT DIRECTION

引抜き出し方向

累積ピッチ40±0.2 ACCUMULATIVE PITCH 40±0.2

53398-\*\*-10

真空ペンシル中心位置 VACUUM PENCIL CENTER LOCATION